

Cant.	Descriere
-------	-----------

1	COMFORT 15-14 B
---	------------------------



Notă! Poza de produs poate diferi de produsul actual

Nr. Produs: La cerere

COMFORT is an efficient circulator designed for hot-water recirculation in residential buildings with a dedicated return line. It is compatible with all types of water heater tanks, tankless systems, solar or heat pumps regardless of whether the system has mixing or tampering valves installed.

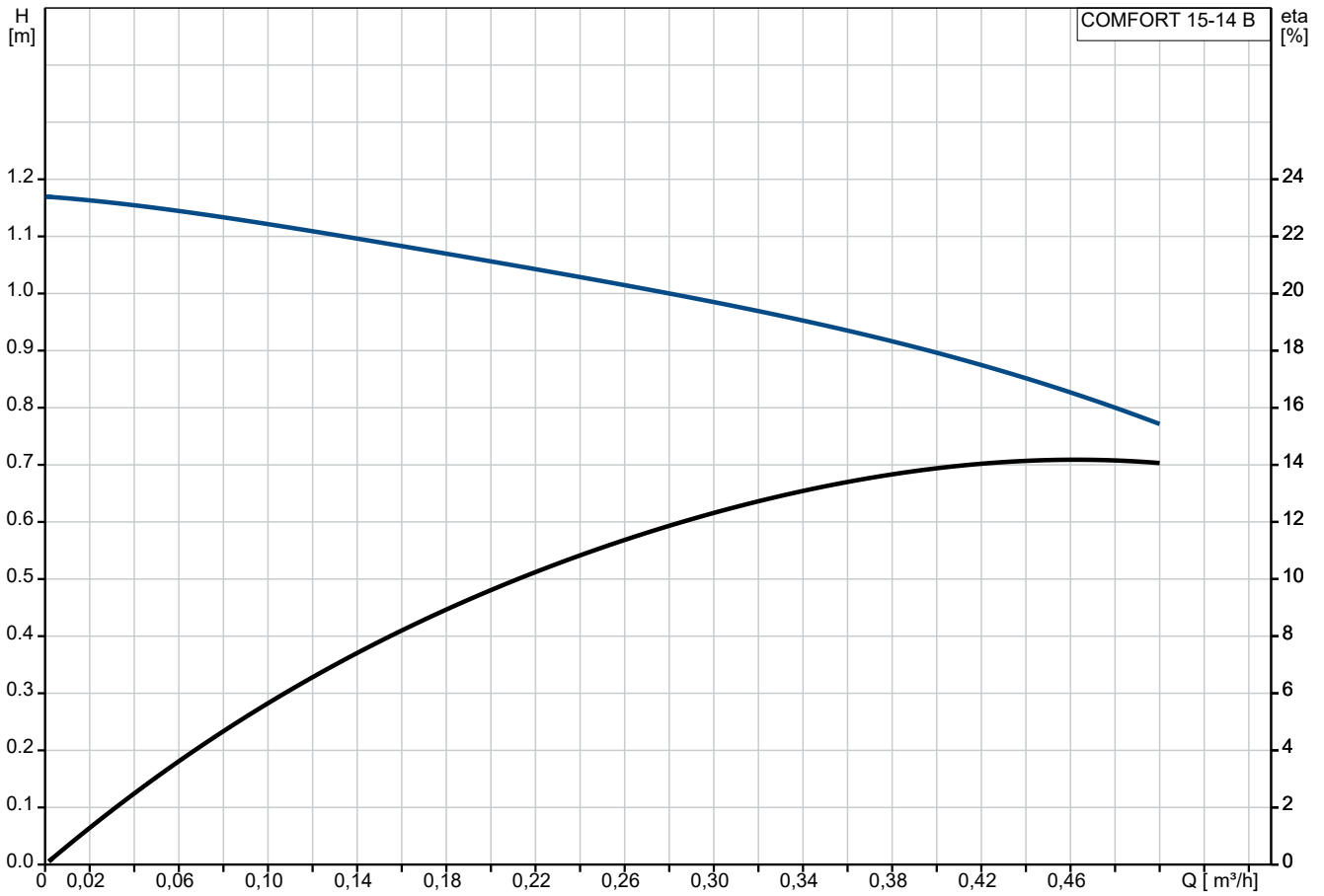
The pump features a compact housing and a permanent magnet with an integrated control unit. The spherical rotor, equipped with an impeller, ensures optimal functionality supported by a robust single-bearing ball system. The drinking-water approved brass pump housing guarantees both safety and reliability.

COMFORT features the continuous operation 24/7 mode which is suitable for external control via plug-in timer, gas boiler or heat-pump controller.

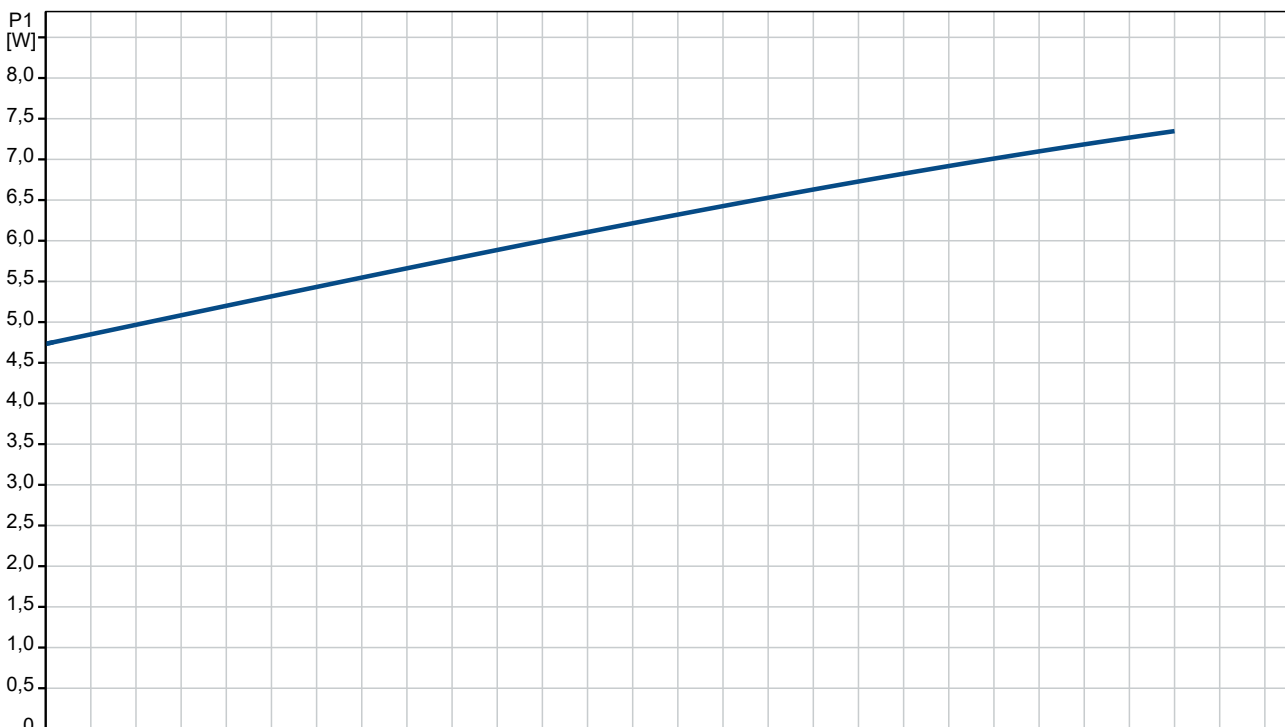
The product offers:

- Q-H performance that is designed for single—and multi-family homes, depending on the required duty point to accommodate heat loss in a specific pipe layout.
- Low power consumption and silent operation.
- Compliance with pipe manufacturers' flow velocity limits, including DN 15, DN 20 PEX, copper, and others.
- Drinking-water approval, ensured by the brass pump housing, stainless-steel rotor, and composite impeller.
- A design that makes it easy to clean limescale and foreign deposits by removing the pump head, enabling the product to meet unlimited water hardness requirements.
- Dry-running protection to prevent failure if the system runs out of water.
- Multiple installation positions, even with the pump head pointing downwards.
- A pump head designed to fit brass pump housings of old and new pumps of the same design, even from different pump manufacturers (such as WILO, VORTEX, LOWARA, DAB and others).
- Easy electrical installation, which is provided by a pre-assembled power plug with a 1.5 m cable and a double insulation protection design, which eliminates the need for a ground wire.
- Insulating shells for heat loss reduction.
- Non-return and shut-off valves included in "BX" variant, reducing installation cost.
- An optional venting flange that provides a simple way to vent or drain the system without the need to install an additional venting valve permanently.
- Optional fittings for pipe connections in different sizes and types.
- Optional non-return and shut-off valves are available.

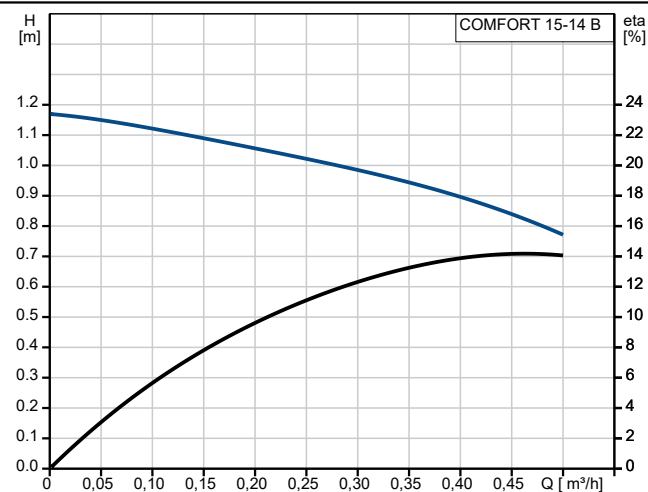
La cerere COMFORT 15-14 B



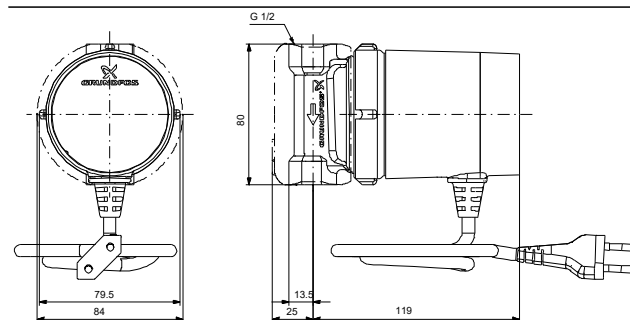
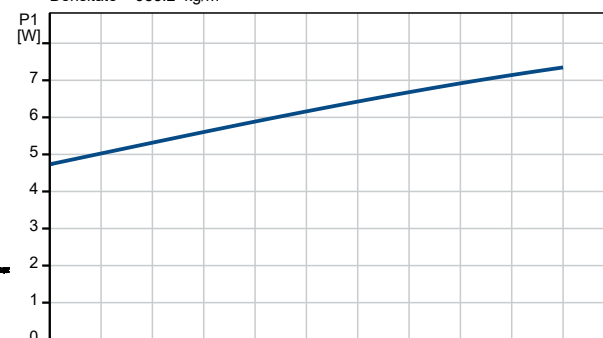
Lichid pompat = Apă
 Temperatura lichidului în timpul funcționării = 60 °C
 Densitate = 983.2 kg/m³



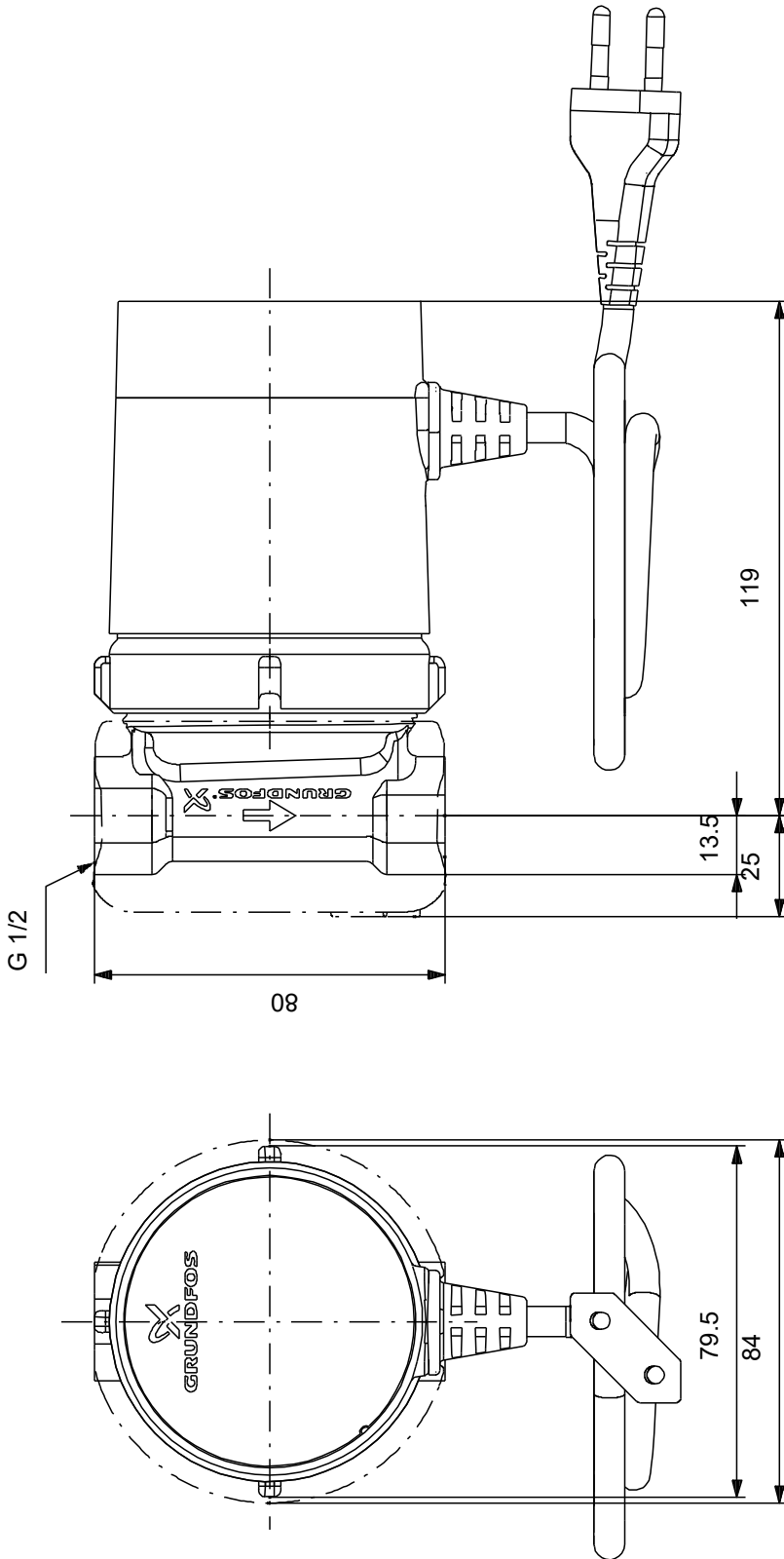
Descriere	Valori și tipuri
Informații generale:	
Nume produs:	COMFORT 15-14 B
Cod produs:	La cerere
Numărul EAN:	La cerere
Tehnic:	
Viteza nr.:	1
Debit nominal:	0.45 m ³ /h
Înălțime de pompare nominală:	0.9 m
Presiune maximă:	14 dm
Clasa TF:	95
Aprobări:	CE, VDE, EAC, WEEE
Materiale:	
Corpul pompei (stator):	Brass
Carcasă pompă:	CuZn39Pb3, MS58
Rotor:	Composite
Rotor:	PPO-GF20/Stainless steel
Instalație:	
Temperatură ambiantă minimă:	0 °C
Presiune de funcționare maximă:	10 bar
Conexiune conductă standard:	ISO 228-1
Tip conexiune:	Rp
Dimensiune racord:	1/2 inch
Evaluare presiune pentru racord:	PN 10
Lungimea dintre porturi:	80 mm
Lichid:	
Lichid pompat:	Apă
Gama temperaturii lichidului:	2 .. 95 °C
Temperatura lichidului în timpul funcționării:	60 °C
Densitate:	983.2 kg/m ³
Date electrice:	
Putere de intrare maximă:	7 W
Frecvența rețelei electrice:	50 / 60 Hz
Tensiune nominală:	1 x 230 V
Curent la turație 3:	0.07 A
Grad de protecție (IEC 34-5):	IP44
Clasa de izolare (IEC 85):	F
Protecție Ex standard:	ELECT.
Protecție termică:	Impedance protected
Control:	
Operation mode include:	None
Altele:	
Greutate netă:	0.94 kg
Greutate brută:	1.04 kg
Volum de livrare:	0.003 m ³
Danish VVS No.:	380634004
Nr. RSK suedez:	5803089
Finlandeză LVI nr.:	4615601
Norwegian NRF nr.:	9042114
Țara de origine:	DE
Nr. tarif:	84137030



Lichid pompat = Apă
 Temperatura lichidului în timpul funcționării = 60 °C
 Densitate = 983.2 kg/m³



La cerere COMFORT 15-14 B



Notă: Toate unitățile sunt în [mm] dacă nu sunt altele specificate.
Negare: Acest desen dimensional simplificat nu prezintă toate detaliile.

La cerere COMFORT 15-14 B



Notă! Toate unitățile sunt în [mm] dacă nu sunt altele specificate.