

## Logis

### Single lever basin mixer 110 Fine with pop-up waste set

Finish: **Chrome** Article Number: **71251000**



#### Description

##### product features

- consists of: single lever basin mixer, waste set
- ComfortZone 110
- projection: 121 mm
- spout height: 110 mm
- handle variant: lever handle
- spray type: normal spray
- maximum flow rate at 3 bar: 5 l/min
- ceramic cartridge
- temperature limitation adjustable
- suitable for continuous flow water heaters
- pop-up waste set G 1¼
- material waste set: synthetic
- connection type: G ¾ connections
- connection dimension: DN15
- EU taxonomy: max. 6 l/min - Substantial Contribution (SC) possible

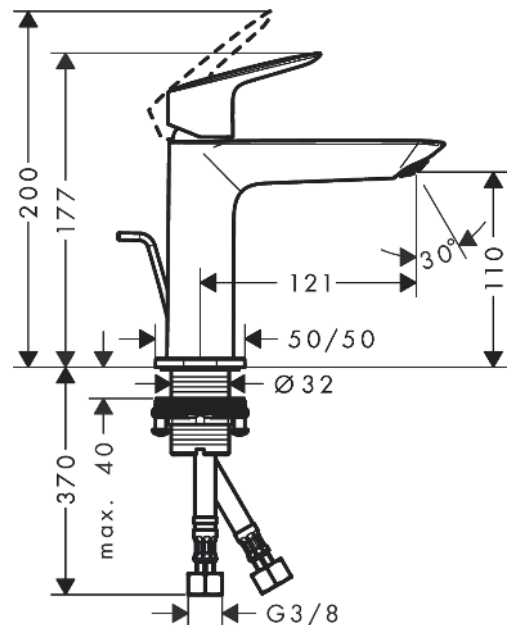
#### Technology



#### Product image



#### Scale drawing



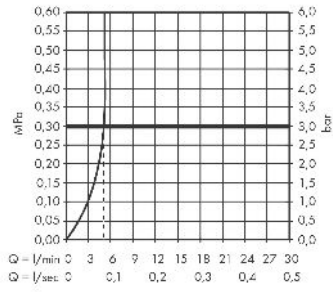
**Logis**

**Single lever basin mixer 110 Fine with pop-up waste set**

Finish: **Chrome** Article Number: **71251000**



**Flowchart**

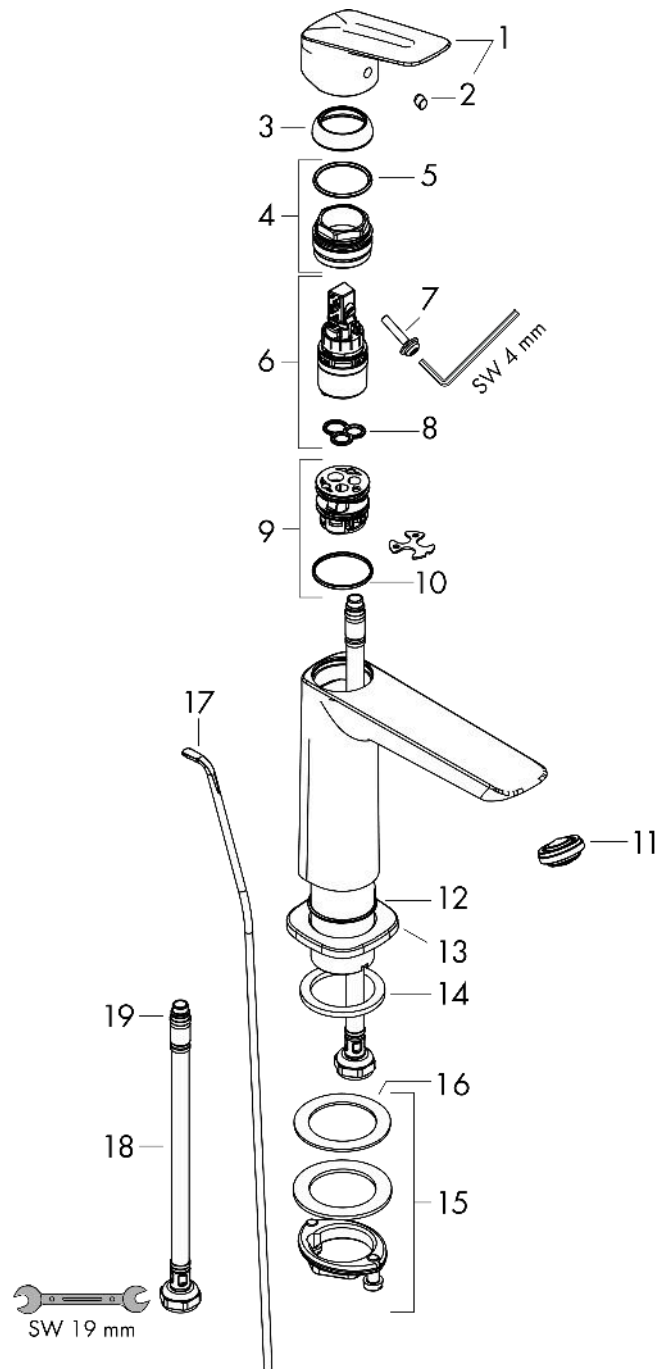


**Logis**  
**Single lever basin mixer 110 Fine with pop-up waste set**  
 Finish: **Chrome** Article Number: **71251000**



**Exploded Drawing**

Year of production: >05/21



**Logis**

**Single lever basin mixer 110 Fine with pop-up waste set**

Finish: **Chrome** Article Number: **71251000**



**Spare part list**

Year of production: >05/21

Pos.	Description	Article Number	PC	PU
1	handle	94376000	11	1
2	screw cover	96338000	1	1
3	flange	98863000	10	1
4	nut	98864000	9	1
5	O-ring 24x2	98388000	1	1
6	cartridge, assy	97685000	11	1
7	locking screw for handle	95140000	2	1
8	seal	98865000	8	1
9	adapter for cartridge	98866000	8	1
10	O-ring 23x2	98398000	1	1
11	aerator M24x1 (5 l/min)	94364000	3	1
12	O-ring 30x1,5	98433000	1	1
13	escutcheon	94382000	8	1
14	flat seal	98749000	2	1
15	fixing set (Ø 32)	13961000	7	1
16	lever collar	97548000	1	1
17	pull rod	96657000	4	1
18	connection hose 450 mm M8x0,75 G3/8	97206000	8	1
19	O-ring 6,6x1,6	93019000	1	1
20	pop up waste	92168000	9	1
21	fixation extension 35 mm	13898000	12	1